

### FEATURES

- Π Micro USB Supply Input.
- Π Number of 5V Outputs: 2
- Π Number of GND Outputs: 2
- Π Analog Outputs: AN1, AN2

The MUA-B2N Micro USB Adapter module is compatible with RGB5VB-X modules and has been produced to facilitate the use of these modules. MUA-B2N and RGB5VB-X modules are integrated to each other, they are energized with a single micro USB cable and the two analog inputs on the RGB module are controlled with two adjustable resistors.

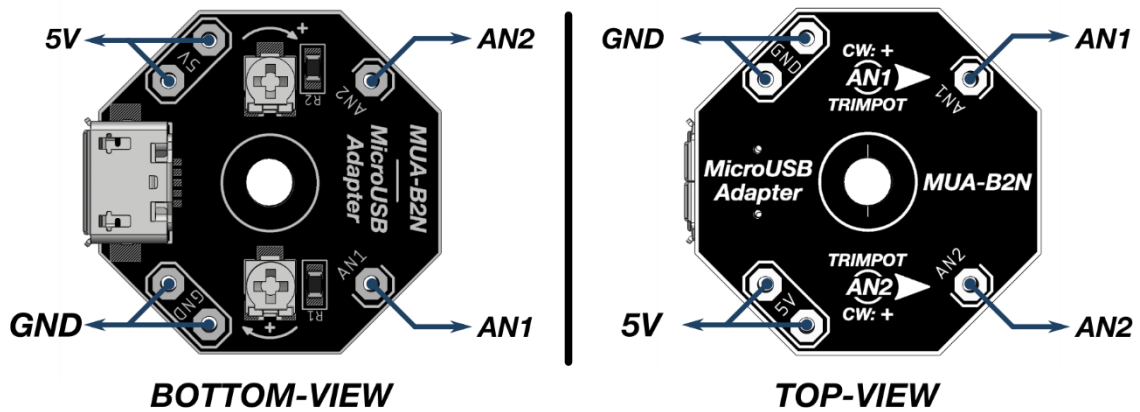
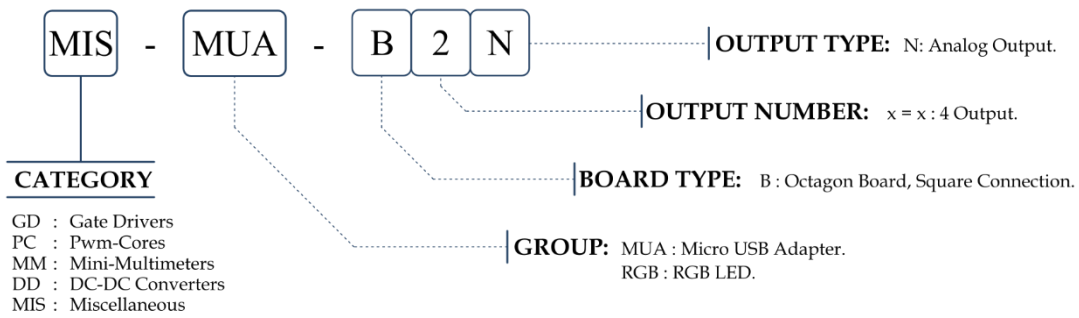


Figure 1: Representation of Pin Outputs.

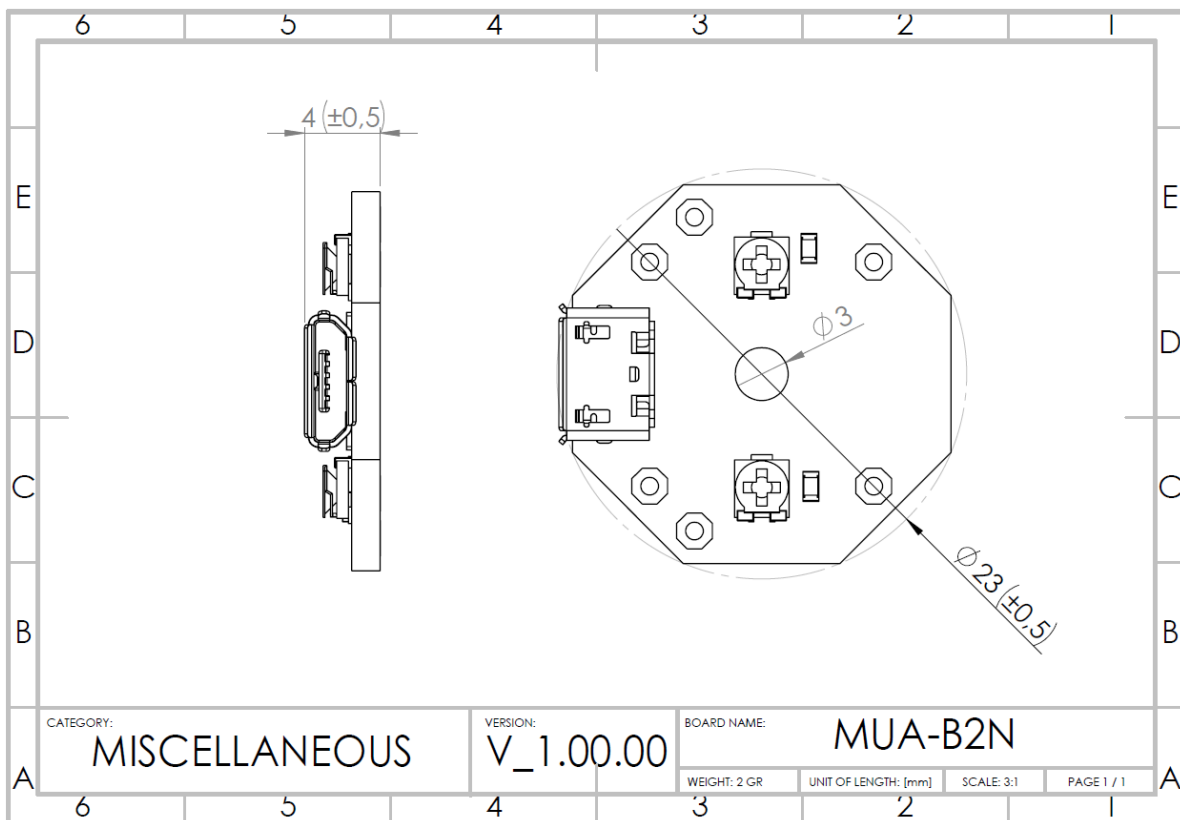


Figure 2: Demonstration of Sample Applications of MUA-B2N Module. (A) By RGB5VB-1FX. (B) By RGB5VB-4FX.

## PRODUCT CODE



## TECHNICAL DRAWING



## CONTACT INFORMATION

Lentark Electronics

Website : [www.lentark.com](http://www.lentark.com)

E-mail : [info@lentark.com](mailto:info@lentark.com)